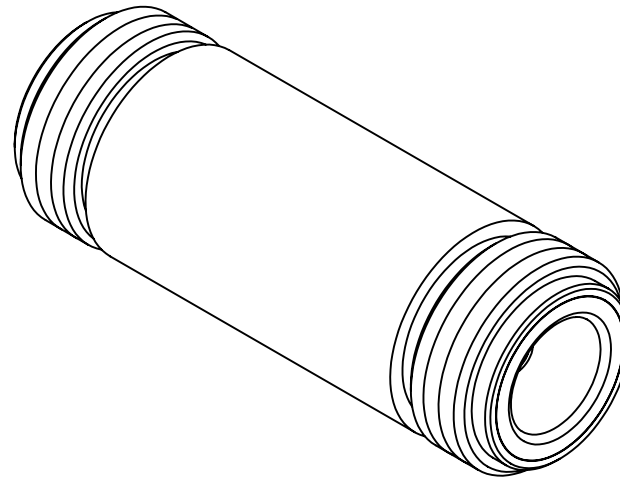
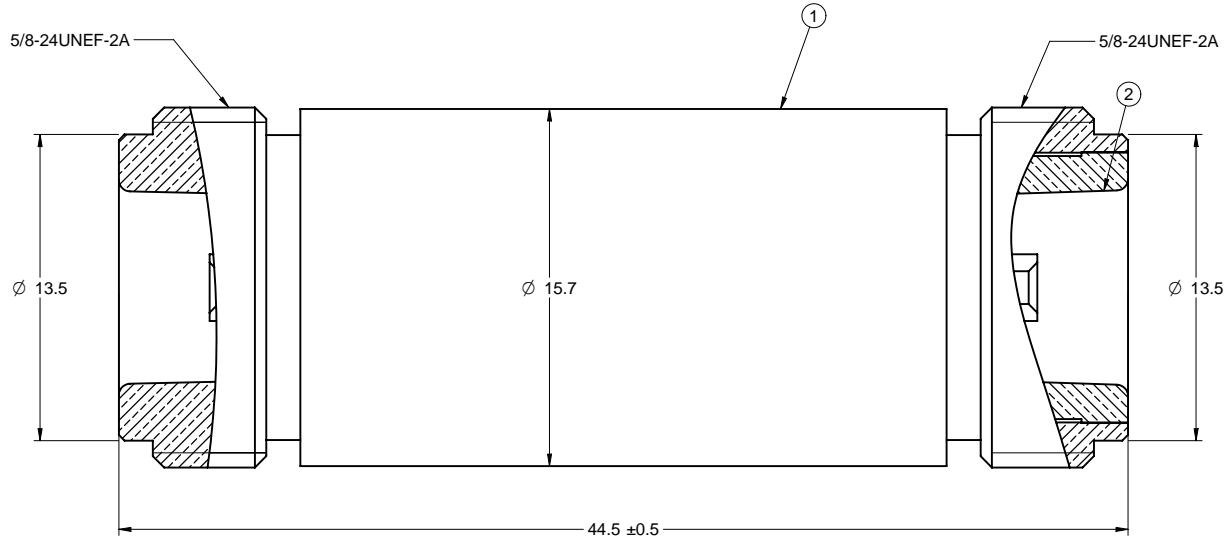


PART NUMBER	ITEM ① BODY	ITEM ② INSERT
26-8010	BRASS NICKEL PLATED	BRASS NICKEL PLATED

DRAWING NO.  
**26-8010**

**REVISIONS**

RELEASE FOR QUOTATION			
A	02-20-06	W	W
ADD DIAMETER 13.5 & 15.7			
B	08-14-06	W	W
ADD OVREALL LENGTH TOLERANCE ADD 4&5 NOTES.			
C	12-18-06	L	Y



**NOTES:**

- ELECTRICAL SPECIFICATIONS**  
 IMPEDANCE: 50 OHMS  
 WORKING VOLTAGE: 500 VOLTS RMS AT SEA LEVEL  
 DIELECTRIC WITHSTANDING VOLTAGE: 1500 VOLTS RMS AT SEA LEVEL  
 INSULATION RESISTANCE: 5000 MEGOHMS MIN
- ENVIRONMENTAL SPECIFICATIONS**  
 TEMPERATURE RANGE: -55 °C TO +85 °C
- MECHANICAL CHARACTERISTICS:**  
 DURABILITY: 500 CYCLES
- PRODUCT SHOULD BE RoHS COMPLIANCE.**
- PACKAGING REQUIREMENT FOLLOWS ENGINEERING DOCUMENT P/N 836-4020001XX.**

THIS DRAWING TO BE INTERPRETED  
PER ANSI Y 14.5M - 1994

**COMPANY CONFIDENTIAL**



TOLERANCE UNLESS OTHERWISE SPECIFIED		DRAWN BY	DATE
DECIMALS	mm	LINDA.WU	12-18-06
X	+ 0.5	CHECKED BY	DATE
X.X	+ 0.2	BETTY.YU	12-18-06
X.XX	+ 0.1	APPROVED BY	DATE
ANGLES	+ 0.5°	THOMAS	12-18-06
	U/M	mm	

TITLE  
**N JACK TO JACK SPLICE**

THIS DRAWING WAS PRODUCED BY COMPUTER,  
DO NOT SCALE DRAWING OR UPDATE MANUALLY.

SHEET	DRAWING NO.	SIZE
1 OF 1	26-8010	C